

# 6 KRXS (165 KRXS WOOFER KIT)

6" K2 Power Woofer

- Mounting depth 2<sup>3/16"</sup> (55,5mm)
- Very high sensitivity
- Neodymium magnet



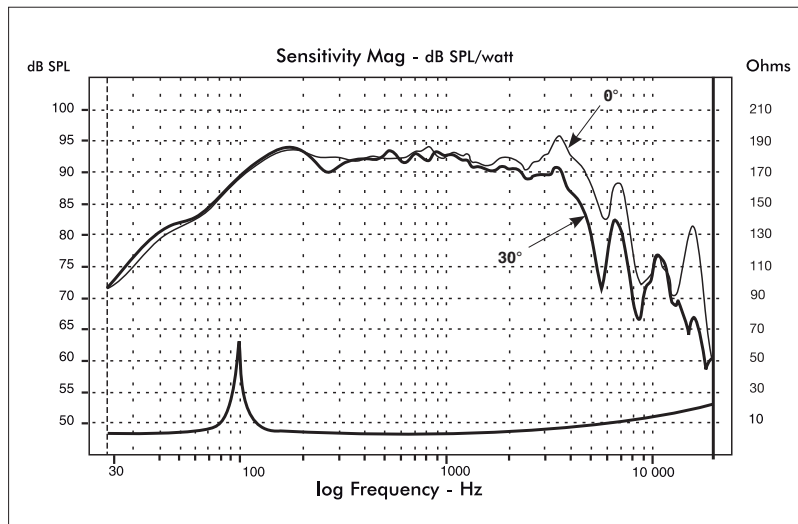
## Specifications

Nominal power	60W	
Maximum power	120W	
Sensitivity	94 dB	
Cone	CKMV	
Surround	Butyl	
Nom. impedance	4 ohms	
DC resistance	2,83 ohms	
VC diameter	32 mm	1-1/4 in
VC height	10,5 mm	0-7/16 in
Former	Kapton	
Layers	2	
Wire	Copper	
Inductance	0,22mH	
Xmax	3,5mm	0-1/18 in
Magnet	Neodymium	
Magnet weight	350g	
Flux density	1T	
Gap height	4mm	0-3/16 in
Net weight	550g	

## Parameters

Fs	91,18 Hz
Vas	6,13 liters
Qts	0,79
Qes	0,82
Qms	18,73
Re	2,83 Ohms
Sd	143,14 cm <sup>2</sup>
Cas	4,37E-08 m <sup>5</sup> /N
Mas	69,75 Kg/m <sup>4</sup>
Ras	2133,34 ohms.ac
Cms	2,13E-4 m/N
Mms	14,29 g
Rms	0,437 Kg/s
Ces	505,76 mF
Les	6,02 mH
Res	64,64 ohms
BI	5,31 N/A
SPL	89,4 dB

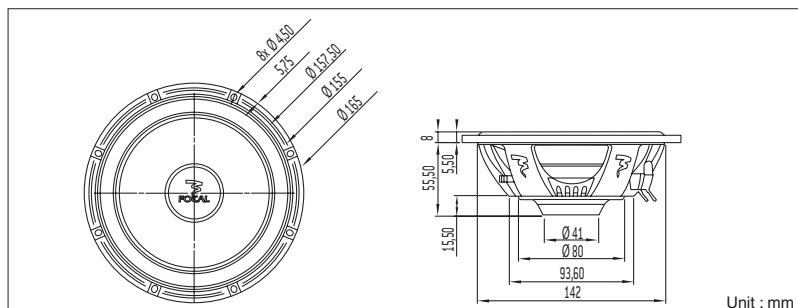
## Frequency Response / Impedance



## Suggested application

Load	V (l)	Fb (Hz)	F-3 (Hz)	QI
Sealed	30	-	85	7

## Mechanical Drawing



©Focal-JMlab - DB080418/1

Focal® is a trademark of Focal-JMlab® - BP 374 - 108, rue de l'Avenir - 42353 La Taubaudière cedex France - Tél. (33) 04 77 43 57 00 - Fax (33) 04 77 37 65 87 - www.focal-fr.com - SCBD090408/1

