

5 W2 Be

5" Utopia Be® woofer



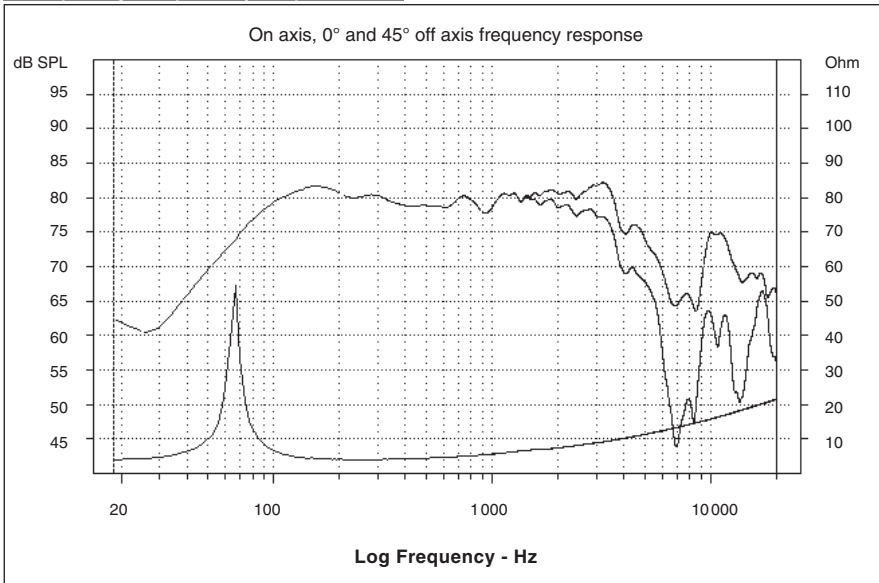
- W cone
- Aluminum focus phase plug
- Neodymium magnet
- Zamak basket



Specifications

Nominal power	75 W	
Maximum power	150 W	
Sensitivity (2.83V/m)	89.5 dB	
Cone	W	
Surround	Rubber	
Nom. impedance	4 ohm	
DC resistance	3.48 ohm	
VC diameter	32 mm	1.26 in
VC height	13 mm	0.5 in
Former	Black Kapton®	
Layers	2	
Wire	Copper	
Inductance	0.38 mH	
Xmax	3.5 mm	0.14 in
Magnet	Neodymium	
Flux density	0.8 T	
Gap height	6 mm	0.24 in
Net weight	0.65 kg	1.43 lbs

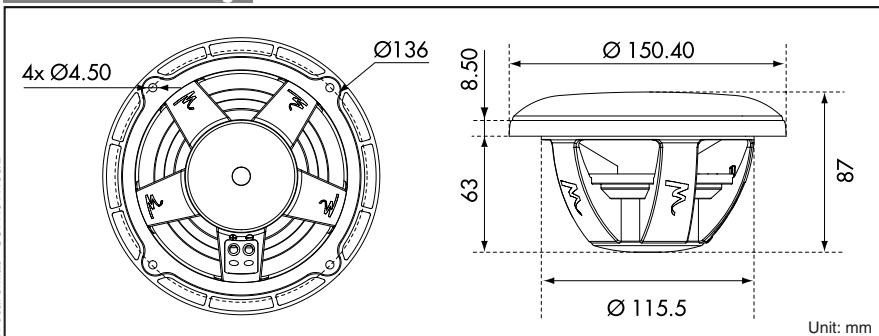
Frequency Response / Impedance



Parameters

Fs	67.47 Hz
Vas	5.23 l
Qts	0.6
Qes	0.64
Qms	9.37
Re	3.48 ohm
Sd	86.59 cm ²
Cas	3.73E-08 m ⁵ /N
Mas	149.38 kg/m ⁴
Ras	6758.22 ohm.ac
Cms	4.97E-04 m/N
Mms	11.2 g
Rms	0.507 kg/s
Ces	433.82 mF
Les	12.83 mH
Res	50.95 ohm
BI	5.08 N/A
SPL	85.84 dB/W/m

Mechanical Drawing



Focal® is a trademark of Focal-JMLab®