

UNIVERSAL ISC 690

2-way coaxial kit

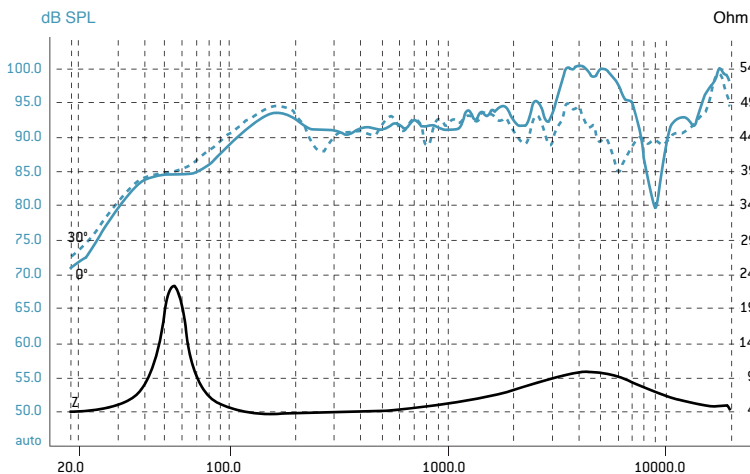


- Polyglass cone
- Reduced height
- Rotary inverted dome tweeter

SPECIFICATIONS

Nominal power	80W	
Maximum power	160W	
Sensitivity	93.6dB	
Cone	Polyglass	
Surround	Butyl	
Nom. impedance	4 Ohms	
DC resistance	3.1 Ohms	
VC diameter	25mm	02 ² / ₂₊₃ / ₃ "
VC height	10mm	03 ⁸ / ₈ "
Former	Kapton	
Layers	2	
Wire	Copper	
Inductance	0.16mH	
Xmax	2.25mm	01 ¹⁶ / ₁₆ "
Magnet d x h	90x17mm	3 ⁹ / ₁₆ x 0 ² / ₃ "
Magnet weight	320g	0.71lb
Flux density	-	
Gap height	5mm	03 ¹⁶ / ₁₆ "
Net weight	1250g	2.76lb

FREQUENCY RESPONSE/IMPEDANCE

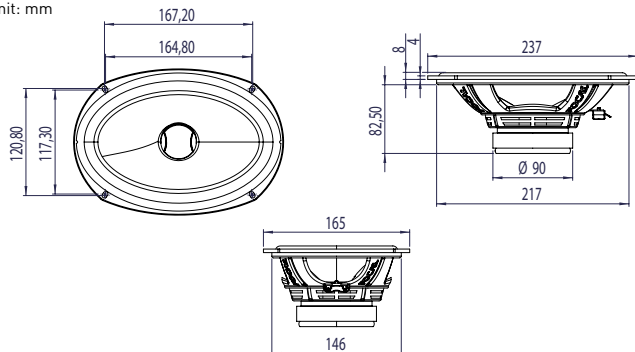


PARAMETERS

Fs	56.36Hz
Vas	24.88 l
Qts	0.7
Qes	0.76
Qms	8.33
Re	3.1 Ohms
Sd	206.12cm ²
Cas	1.77E-7m ⁵ /N
Mas	45.03 kg/m ⁴
Ras	1914.17 Ohms.ac
Cms	417µm/N
Mms	19.13g
Rms	0.813g/s
Ces	692.31mF
Les	11.52mH
Res	33.98 Ohms
BI	5.26 N/A
SPL	89.50 dB/W/m

MECHANICAL DRAWING

Unit: mm



Integration
INSTANT GRATIFICATION

FOCAL
THE SPIRIT OF SOUND