

ISUB MBZ 2 LHD v2

Technical Sheet

Subwoofer
Left-hand drive

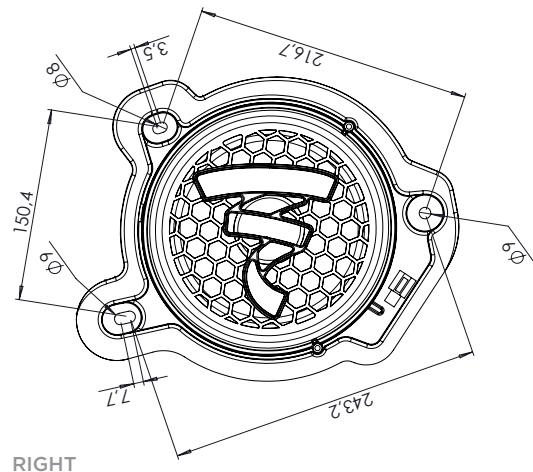
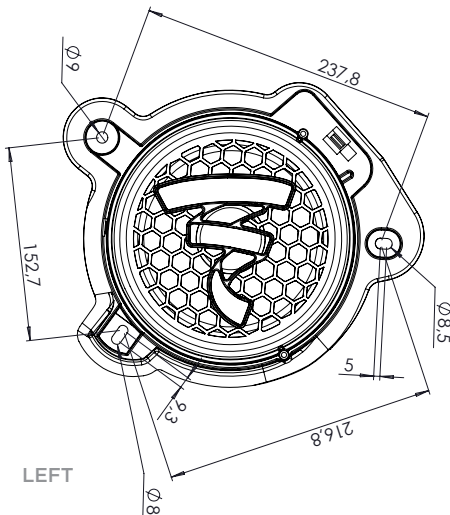
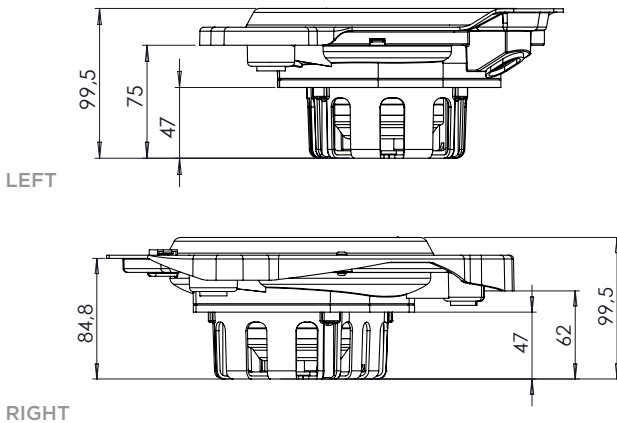


SPECIFICATIONS

Nominal power	75W
Maximum power	150W
Sensitivity	93.3dB
Nom. impedance	2 Ω
Cone	Polyglass
Surround	Butyl
DC resistance	2 Ω
VC diameter	35mm 1 ^{3/8} "
Former	Kapton
Layers	2
Wire	Copper
Net weight	1,410g 3.11 lbs
Frequency response	35-200Hz

MECHANICAL DRAWING

Dimensions in mm



PARAMETERS

Rdc	2.06 Ω
Fs	52Hz
Mms	39.32g
Cms	0.235mm/N
Vas	15.2 l
Qts	0.534
Qes	0.639
Qms	3.25
Bxl	6.46N/A
Sd	213.82cm ²
SPL	87.3dB
Xmax	7.5mm

FOCAL® INSIDE

Focal® is a trademark of Focal-JMLab® - www.focal.com - SCCG - 03/04/2024 - v1

FOCAL®